

Installing the Jib and its Hook Blocks

Jib System, General Information

The Jib is used to recover working radius lost when the boom is raised to its maximum, but is only compatible with the 1-Part Hook Block or the Searcher Hook.

- ◆ The maximum rated load capacity of the Jib is 1,580 lbs., regardless of the equipped hook.

Vehicle Start Condition

- ◆ 200-Series
- ◆ Deployed (any state)
- ◆ Boom Deployed, NO Hook Block Installed

Personnel and Time Needed

- ◆ 2 Persons
- ◆ Standard PPE
- ◆ <5 minutes

Tools and Equipment Needed

- ◆ None

To Install the Jib for use with the 1-Part Hook Block

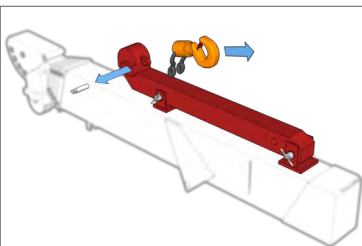
1. Remove the Searcher Hook and Shackle, retain for later use (Fig. 1).
2. Remove the weather cap of the Jib A2B Switch Connector and BOTH weather caps of the A2B Switch Extension Cord.

NOTE: You DO NOT need to remove the caps if you are using the Searcher Hook with the Jib.

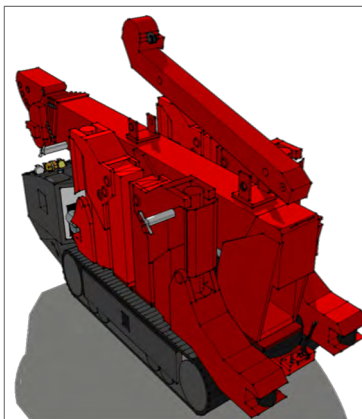
3. Dismount the Jib from its Storage Cradle; retain the two Jib Pins (Fig. 2).

NOTE: The Jib weighs 70 lbs., dismounting/mounting it is a two-person task.

2. Turn the Jib over so that the Jib Tip Sheave is facing the ground and Insert the rear end of the Jib into the Jib Hood; make sure not to crush the Jib A2B Connector or the A2B Extension.
3. Line up the rear Jib Pin Hole with the center hole of the Jib Hood and secure with the Jib Pin and safety-clip.
4. Select the desired tilt angle for the Jib (0°, 20°, 40°, or 60°) by tilting the Jib on the first Jib Pin and then inserting and clipping the second Jib Pin through the selected Jib Tilt Angle Hole of the Jib Hood and the forward Jib Pin Hole.
5. Connect the Jib A2B Switch Connector with the inside end of the A2B Switch Extension.
6. Disconnect the Boom A2B Switch from the A2B System and plug the outer end of the A2B Switch Extension into the A2B System (Fig. 5).
7. Use the one of the weather caps you removed earlier to cover the exposed Boom A2B Switch Connector, place the other two into the Storage Compartment.



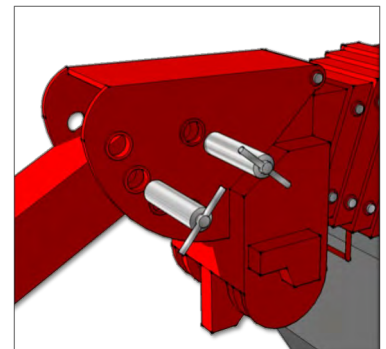
(Fig. 1) The Searcher Hook and its hardware is removed to make handling the Jib easier.



(Fig. 2) Pull the two Jib Pins and dismount the Jib by pulling straight up and back.



(Fig. 3) The A2B Switch Extension Cord is installed on the inside of the Jib Hood.



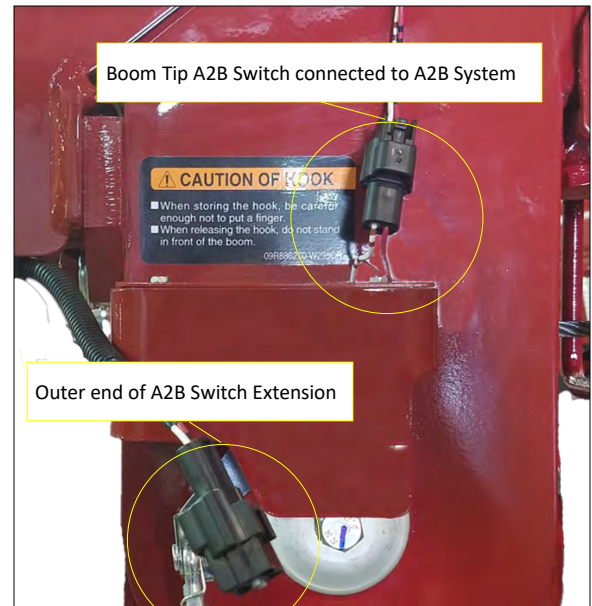
(Fig. 4) Insert the two Jib Pins to lock the Jib to the desired Tilt Angle.

Installing the 1-Part Hook to the Jib

1. Install the Jib A2B Weight to the Jib A2B Switch, using the included carabiner.

Note: the Jib A2B Weight is stored in the Storage Compartment; the Wire Rope Wedge and Wire Rope Clip are taken from the 4-Part Hook Block.

1. Use a cable-tie to secure the Boom A2B Weight to its switch, to keep it out of the way.
2. Reeve the wire rope from the Wire Rope Drum over the right-hand Boom Tip Sheave, over the Jib Sheave, and through the Jib A2B Weight (Fig. 6).
3. Push the end of the wire rope down through the narrow end of the 1-Part Hook Block's Wire Rope Socket (follow the embossed arrow on the becket) (Fig.7).
4. Feed wire rope through the becket of the Wire Rope Socket until two feet of rope is coming out of the bottom.
5. Form a large loop and feed the end back up through the wide side of the becket.
6. Insert the Wire Rope Wedge into the wide side of the becket.
7. Clip the Spacer onto the end of the wire rope so that the U-Bolt of the Wire Rope Clip is fastened around the rope end while the saddle is sitting on the Spacer (Fig. 8).
8. Tighten 13mm nuts of the Wire Rope Clip.
9. Carefully collapse the loop so that it wraps around the back of the wedge and holds it fast and there is six inches of wire rope end (the "tail") coming out of the narrow side of the becket (Fig. 9).



(Fig. 5) The Boom Tip A2B Switch connected to the A2B System and the outer end of the A2B Switch Extension.



(Fig. 6) The wire rope passes over the right-hand Boom Tip Sheave and Jib Sheave, and through the Jib A2B Weight.



(Fig. 7) Notice the embossed arrow on the side of the becket; the wire rope goes through the narrow end following the arrow.



(Fig. 8) The saddle of the Wire Rope Clip sits on the Spacer while the U-Bolt sits on the end of the wire rope.

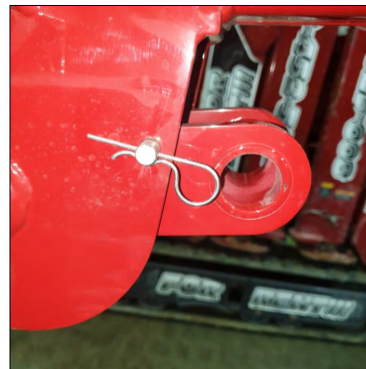


(Fig. 9) Insert the narrow end of the Wire Rope Wedge into the wide side of the becket of the Wire Rope Socket.

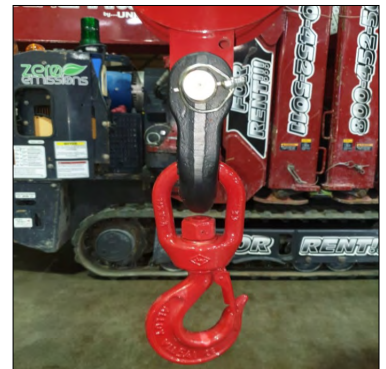
NOTE: The Searcher Hook DOES NOT attach to the wire rope; leave the wire rope stored on the Wire Rope Drum for this procedure.

Installing the Searcher Hook to the Jib

1. Remove the Swivel Lock Pin to free the Searcher Hook Swivel from its storage condition (Fig. 10).
2. Insert the Searcher Hook Shackle through the loop of the Searcher Hook.
3. Install the Searcher Hook Shackle to the Searcher Hook Swivel, using the Shackle Pin, so that the Searcher Hook is hanging freely (Fig. 11).



(Fig. 10) The Searcher Hook Shackle in the stored condition.



(Fig. 11) The installed Searcher Hook hangs freely from the Searcher Hook Swivel.